



eGO

Smart Hotel Lock



Designed specifically for the hospitality industry, the Schlage eGO Smart Hotel Lock makes guest access simple. Combined with Schlage Breeze Hotel, the Schlage eGO Smart Hotel Lock is a complete, electronic, guest and staff access system.

The Schlage eGO provides simple access options via the Schlage Breeze Hotel app on a smartphone, access card or mechanical key override.

This lock is powered by Alkaline batteries (AAA) which ensures the lock remains fully functional even in the event of a power failure.

For remote access to the Schlage eGO, the lock can be paired with the Schlage Wi-Fi Bridge (BZ100) sold separately.

Features

- Schlage eGO can be operated with the Schlage Breeze Hotel app to allow virtual check-in or remote access for guest lock-outs
- Privacy turn on the internal plate provides led indication of room status
- Programme cards or app-based access for given time periods, days of the week i.e. staff shifts
- For app integration with existing PMS systems, Schlage has an SDK / API available
- Quickly and easily cancel access for lost or stolen cards / phones
- View the access audit trail. Easily trace who opened the door and when
- New cards automatically cancel previous ones, guaranteeing security
- Schlage Breeze Hotel requires a computer with Windows 10, internet connection and a Card Encoder to read and programme cards



Warranties	
Mechanical	10 years
Finish	allegion.co.nz/finisheswarranty
Electronic	2 years

Technical specifications

Hardware Specification	
Materials	External/Internal plates in aluminium, ABS plastic and zinc Mortice lock is steel and stainless steel
Finishes	Satin silver
Weight	Packed: 2.1kg (mortice lock, spindles, external and internal plates, handles)
Spindle size	8mm
Backset	ANZ centre distance: 62mm x 95mm
Operating temperature	From -10°C to 70°C (with specified batteries)
Handles	AS 1428.1—2001 compliant return to door lever
Life cycle	200,000 cycles
Battery	4 x 1.5V AAA alkaline
Battery durability	20,000 cycles (depending on operating conditions)
Door thickness	40 - 60mm
Internal / External plate	263mm (L) x 68mm (W) x 71mm (D including handle)
Access Specification	
Intended use	Battery powered, electronic access control for guest room doors
Form factor	RFID reader integrated into the external plate Battery holder integrated into the internal plate
Key override	Mechanical key override for emergency access Event detection and registration into the lock audit trail Euro profile half cylinder concealed under plastic cover
Credentials	Contactless RFID Mifare ISO 14443A Lock wake-up function activated by card from max 2cm
Lock Functions	
Audit trail	Last 500 events
LED Indication	Multicolour LED on external plate for battery level and privacy status
Mechanical lock	ANZ (Euro and ANSI versions available)
Management system	Schlage Breeze Hotel application (SDK / API for PMS integration available)
App Specification	
Data encryption	128-bit and 256-bit AES encryption
Privacy	Mechanical privacy function activated by a turn on the internal plate

Finish



SS

Satin Silver

Testing and Compliance



Fire Rating:

Successfully tested on fire door assemblies in accordance with AS1905 Part1: Fire resistance doorsets. Check with fire door manufacturer prior to installation.



Accessibility:

Compliant to the AS 1428:1-2009 Design for Access and Mobility

Caution:

When door closers are installed and adjusted to meet reduced opening force requirements, there may be insufficient power to reliably close and latch the door, depending on prevailing operating conditions.

Note:

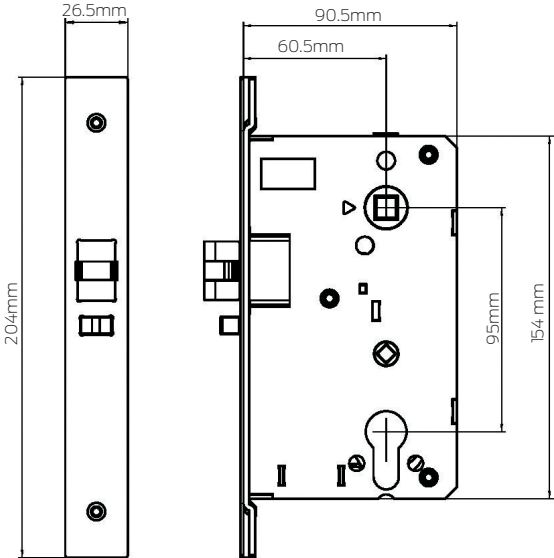
In areas of high wind pressure and/or air conditioning pressures, the LCN Automatic Door Operators are recommended.



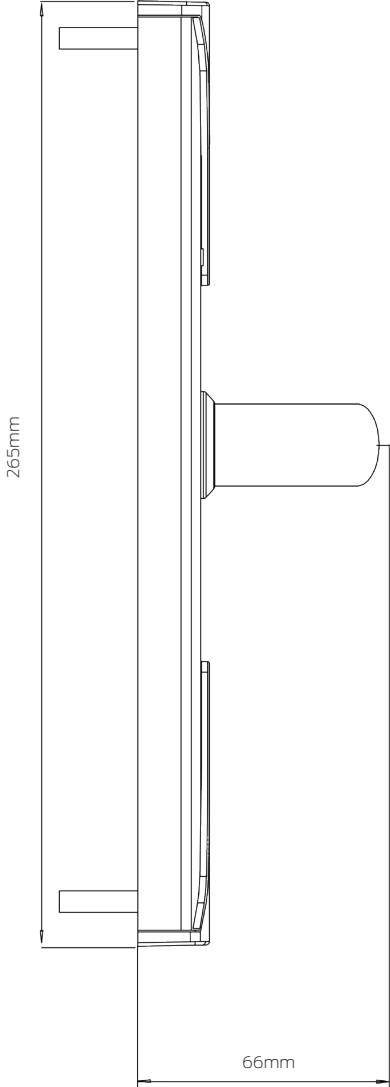
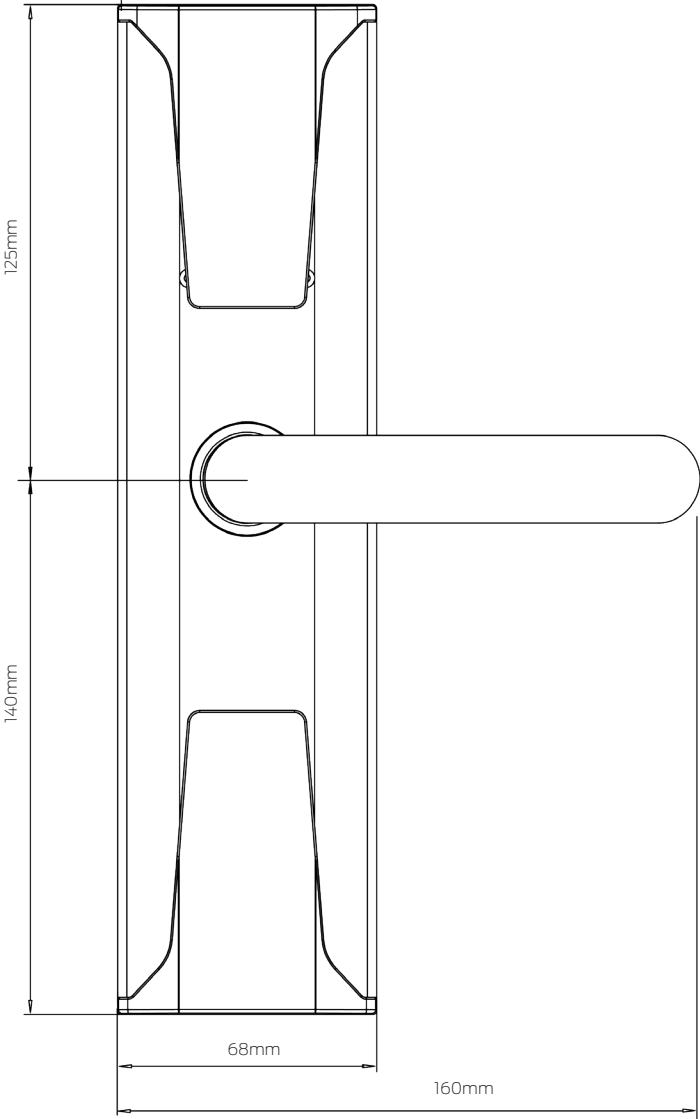
RCM Certified

Schlage eGO

ANZ Mortice Lock



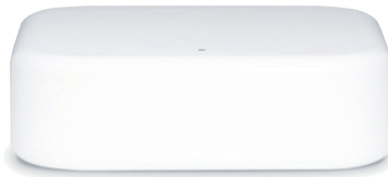
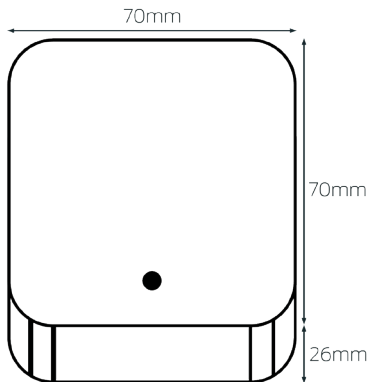
Schlage eGO Plate Dimensions



Schlage eGO accessories

Schlage Wi-Fi Bridge BZ100

Schlage Encoder (BZ100)	
Compatible with	Schlage Omnia and Schlage eGO Smart Locks
Model	Schlage Wi-Fi Bridge (BZ100)
Dimensions	70mm x 70mm x 26mm
Network	Wi-Fi 2.4GHz
IEEE standard	802.11 b/g/n
Power interface	Type-C USB
Power input	5V/500mA
Warranty	1-year warranty



Schlage Encoder BZ200

Schlage Encoder (BZ200)	
Compatible with	Schlage Omnia and Schlage eGO Smart Locks
Model	Schlage Encoder (BZ200)
Dimensions	70mm x 70mm x 26mm
Power interface	Type-C USB
Power input	5V/500mA
Radio frequency	13.56Mhz
Support card type	MiFare S50
Warranty	1-year warranty

